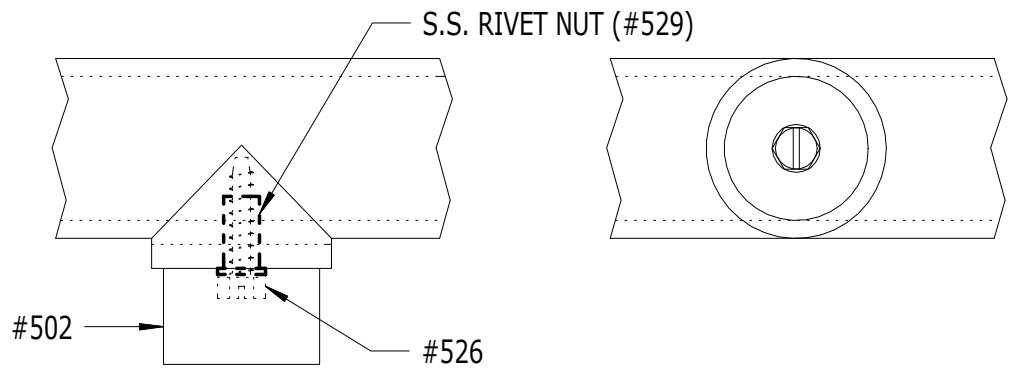
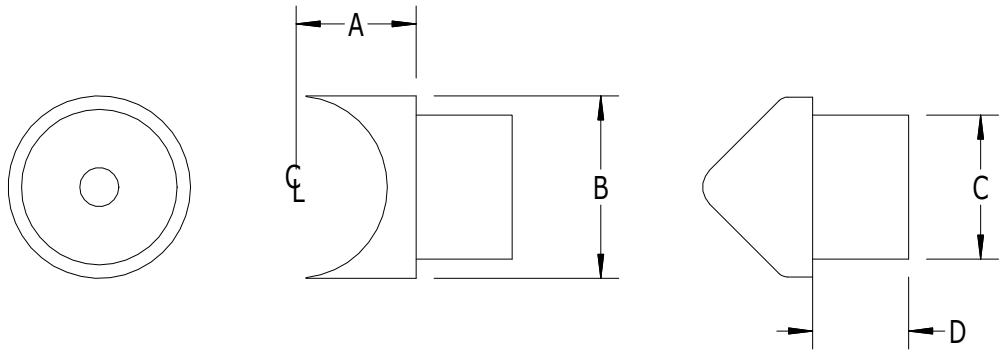
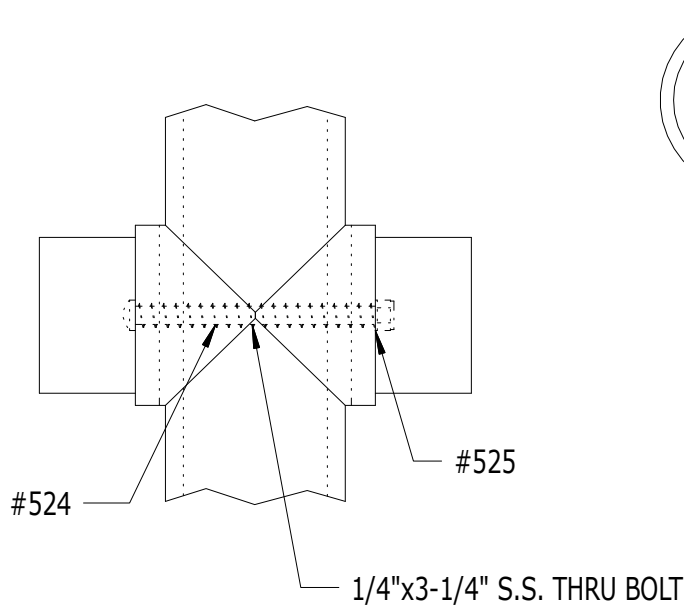


SCALE: 1/2



****THRU BOLT (#524) AND LOCKNUT (#525)
ARE USED FOR ALL #502 OR #504
ANGLE TEES THAT MOUNT OPPOSITE OF EACH
OTHER AT 12 DEGREES OR LESS.**

****A STAINLESS STEEL RIVET NUT (#529) AND A 1/4" x 1-1/4" S.S. SCREW (#526)
ARE USED ON ALL TEE OR ANGLE TEE LOCATIONS THAT ATTACH TO JUST THE PIPE,
AT ANY DEGREE.**

**NOTE: A STAINLESS STEEL RIVET NUT CAN NOT BE USED AT ANY LOCATION THAT WILL
BE MOUNTING INTO A PORTION OF THE PIPE THAT IS FITTED WITH A REINFORCEMENT ROD.
A 1/4" x 1" S.S. SCREW (#527) IS USED ON ALL TEE LOCATIONS MOUNTING
TO A PORTION OF THE PIPE THAT IS FITTED WITH A REINFORCEMENT ROD.**

#502 - SERIES 500 POST TEE FITTING

LABEL	A	B	C	D
DIMENSION	1-1/4"	1.90"	1-1/2"	1"

SUPERIOR
Aluminum Products, Inc.