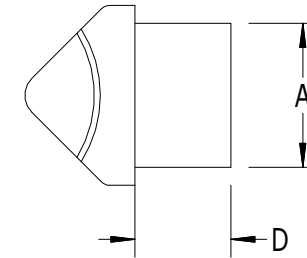
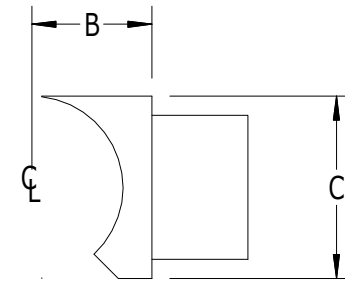
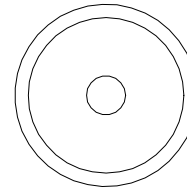
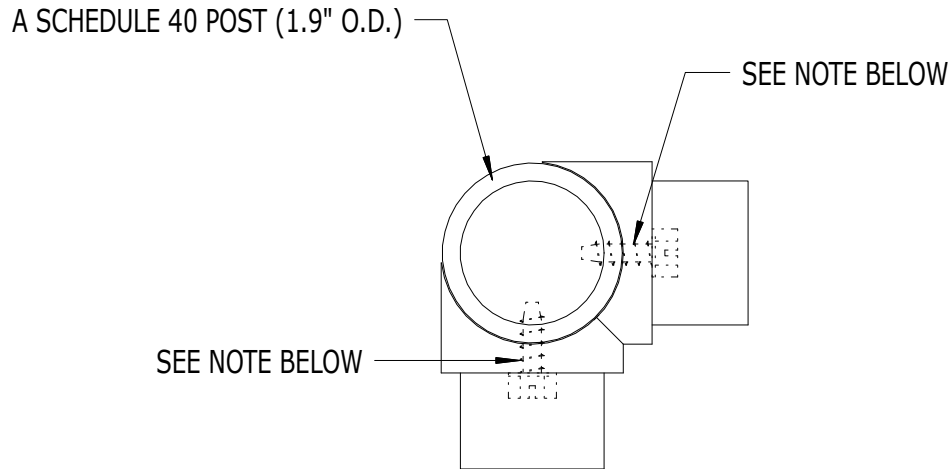


SCALE: 1/2



**\*\*A STAINLESS STEEL RIVET NUT (#529) AND A 1/4" x 1-1/4" S.S. SCREW (#526) ARE USED ON ALL TEE OR ANGLE TEE LOCATIONS THAT ATTACH TO JUST THE PIPE, AT ANY DEGREE.**  
**NOTE: A STAINLESS STEEL RIVET NUT CAN NOT BE USED AT ANY LOCATION THAT WILL BE MOUNTING INTO A PORTION OF THE PIPE THAT IS FITTED WITH A REINFORCEMENT ROD.**  
**A 1/4" x 1" S.S. SCREW (#527) IS USED ON ALL TEE LOCATIONS MOUNTING TO A PORTION OF THE PIPE THAT IS FITTED WITH A REINFORCEMENT ROD.**

## **#503 - SERIES 500 CORNER POST TEE FITTING**

LABEL	A	B	C	D
DIMENSION	1-1/2"	1-1/4"	1.90"	1"

**SUPERIOR**  
Aluminum Products, Inc.