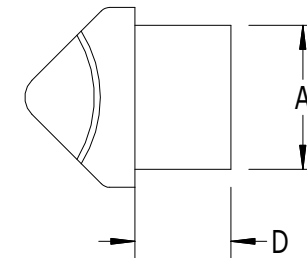
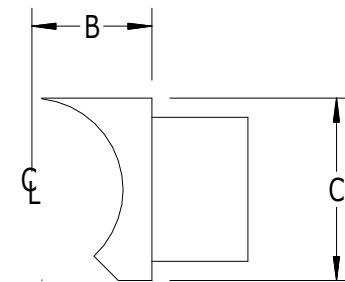
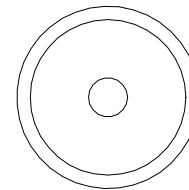
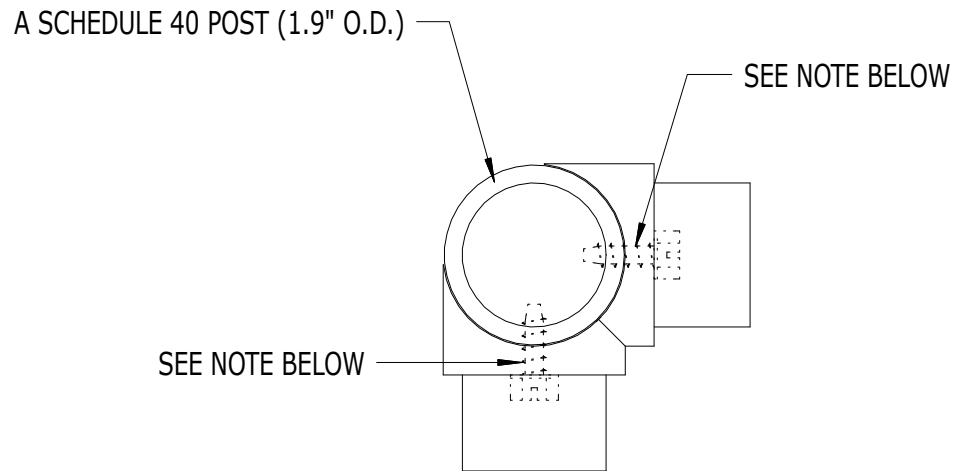


SCALE: 1/2



****A STAINLESS STEEL RIVET NUT (#529) AND A 1/4" x 1-1/4" S.S. SCREW (#526) ARE USED ON ALL TEE OR ANGLE TEE LOCATIONS THAT ATTACH TO JUST THE PIPE, AT ANY DEGREE.**
NOTE: A STAINLESS STEEL RIVET NUT CAN NOT BE USED AT ANY LOCATION THAT WILL BE MOUNTING INTO A PORTION OF THE PIPE THAT IS FITTED WITH A REINFORCEMENT ROD.
A 1/4" x 1" S.S. SCREW (#527) IS USED ON ALL TEE LOCATIONS MOUNTING TO A PORTION OF THE PIPE THAT IS FITTED WITH A REINFORCEMENT ROD.

#503 - SERIES 500 CORNER POST TEE FITTING

| LABEL | A | B | C | D |
|-----------|--------|--------|-------|----|
| DIMENSION | 1-1/2" | 1-1/4" | 1.90" | 1" |

