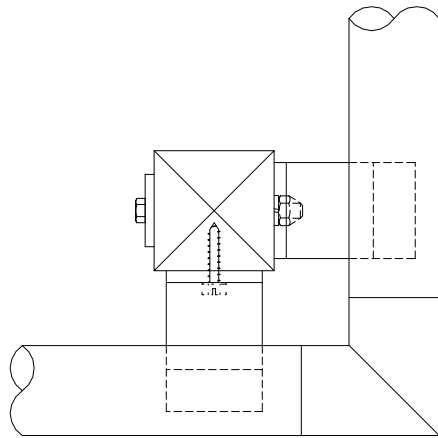


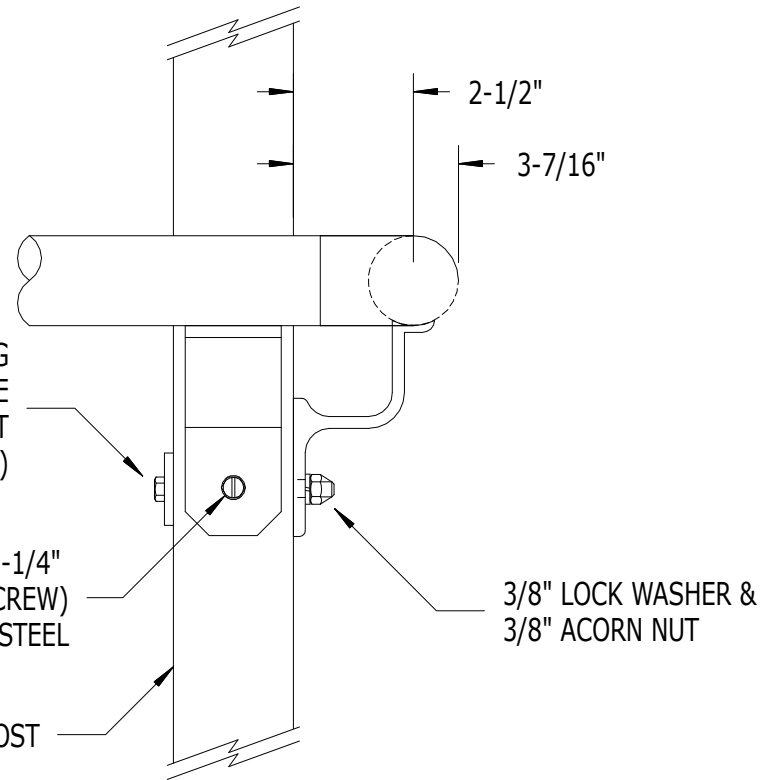
SCALE: 1/4



3/8" BOLT W/ SLUG  
(LENGTH DEPENDS ON POST SIZE  
3-1/2" LONG FOR 2-1/2" SQ. POST  
3" LONG FOR 2" SQ. POST)

#527 (1/4" x 1-1/4"  
HEX HEAD SCREW)  
STAINLESS STEEL

2-1/2" SQ. OR 2" SQ. POST



**#515 - SERIES 500 WALL BRACKET**  
**MOUNTED TO SERIES 500 SQUARE POST (CORNER)**

**SUPERIOR**  
Aluminum Products, Inc.