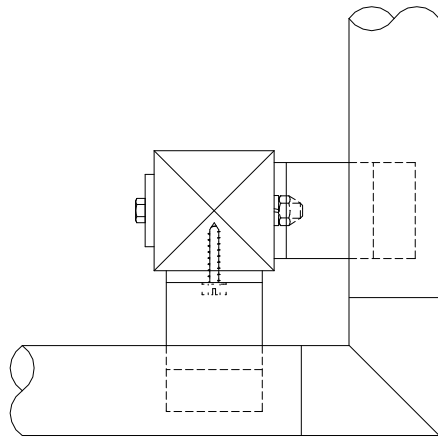


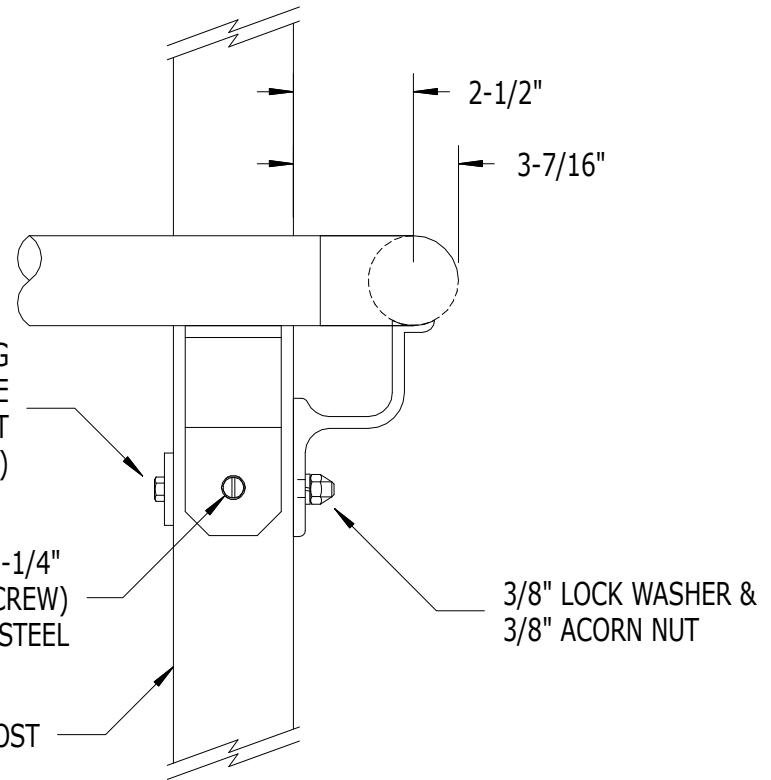
SCALE: 1/4



3/8" BOLT W/ SLUG
(LENGTH DEPENDS ON POST SIZE
3-1/2" LONG FOR 2-1/2" SQ. POST
3" LONG FOR 2" SQ. POST)

#527 (1/4" x 1-1/4"
HEX HEAD SCREW)
STAINLESS STEEL

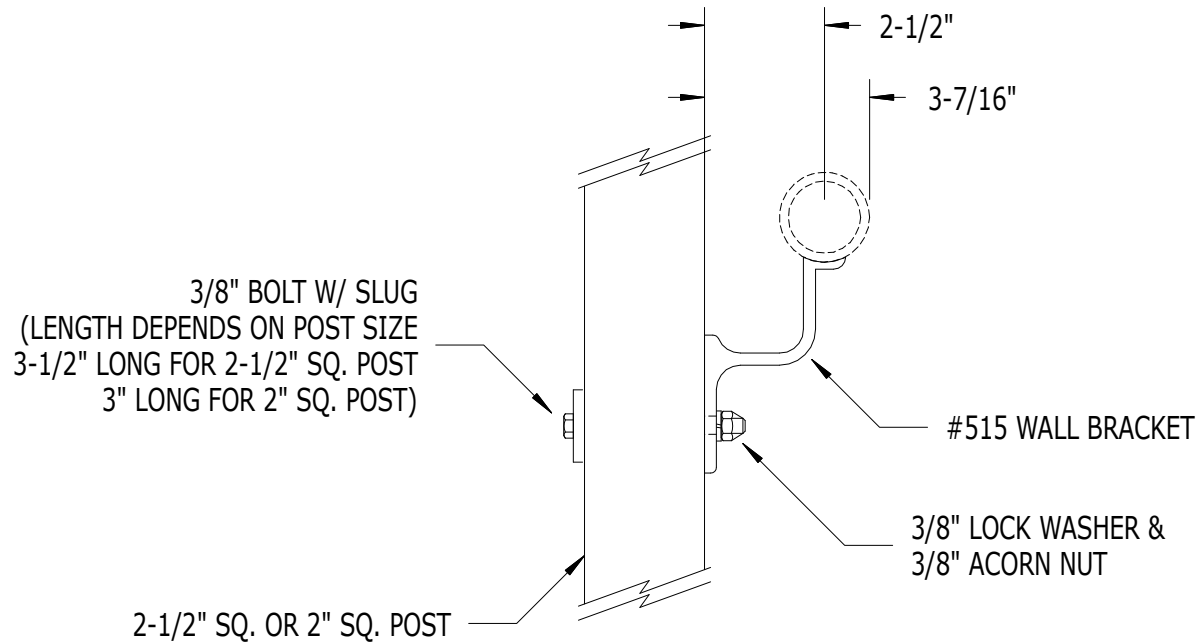
2-1/2" SQ. OR 2" SQ. POST



#515 - SERIES 500 WALL BRACKET
MOUNTED TO SERIES 500 SQUARE POST (CORNER)



SCALE: 1/4



#515 - SERIES 500 WALL BRACKET
MOUNTED TO SERIES 900 SQUARE POST

Superior
Aluminum Products, Inc.