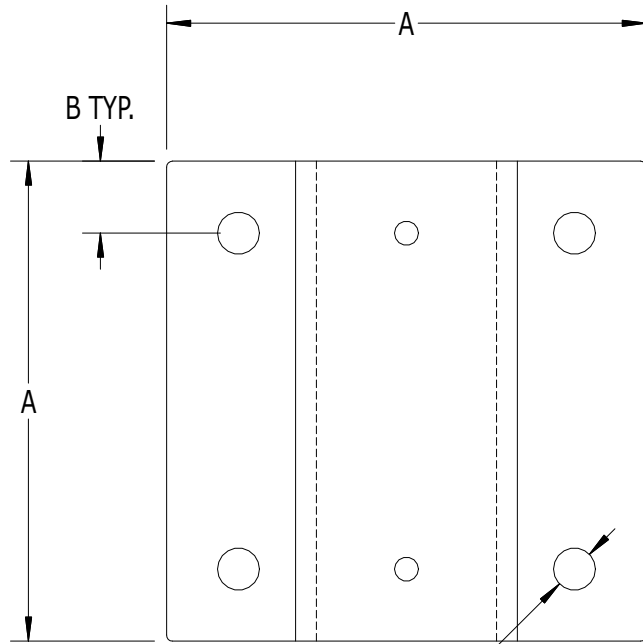
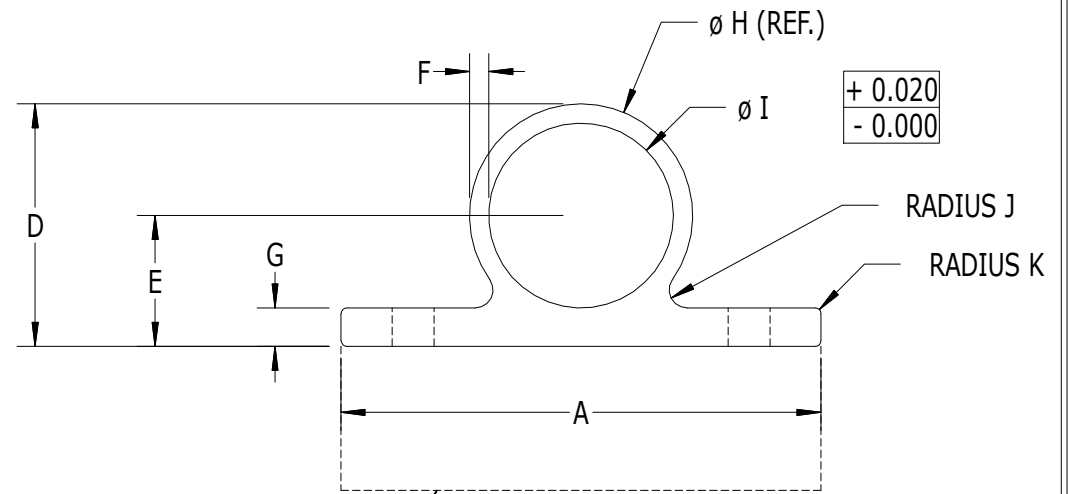


SCALE: 1/2



C (DIA.  
ANCHOR HOLE - (4) TOTAL  
FOR 3/8" DIA. ANCHOR)



EXTENSION SPACERS ARE AVAILABLE  
FOR OFFSET OF RAIL. (SPECIFY DISTANCE)

## #540 - SERIES 500 SIDE MOUNT BASE

| LABEL     | A  | B    | C     | D      | E      | F      | G      | H      | I      | J      | K      |
|-----------|----|------|-------|--------|--------|--------|--------|--------|--------|--------|--------|
| DIMENSION | 5" | 3/4" | 7/16" | 2-1/2" | 1-3/8" | 0.200" | 0.400" | 2.325" | 1.925" | 0.188" | 0.062" |

**SUPERIOR**  
Aluminum Products, Inc.