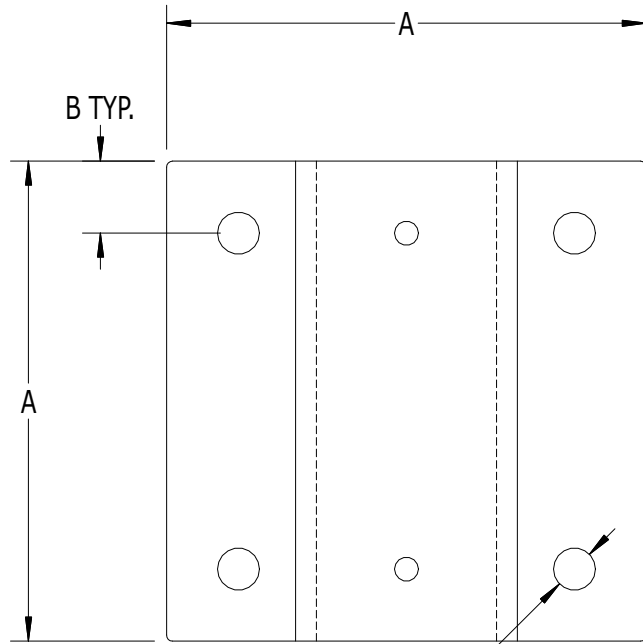
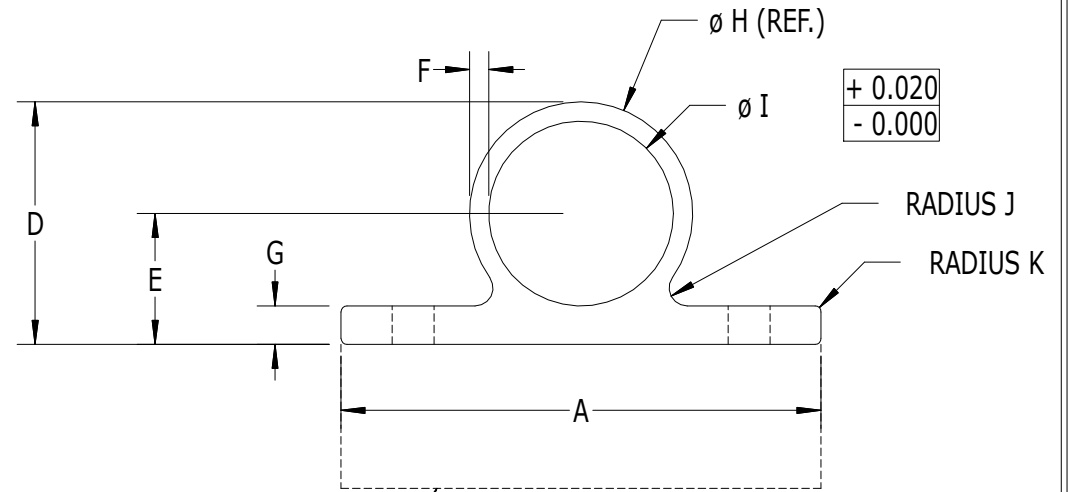


SCALE: 1/2



C (DIA.
ANCHOR HOLE - (4) TOTAL
FOR 3/8" DIA. ANCHOR)



EXTENSION SPACERS ARE AVAILABLE
FOR OFFSET OF RAIL. (SPECIFY DISTANCE)

#540 - SERIES 500 SIDE MOUNT BASE

LABEL	A	B	C	D	E	F	G	H	I	J	K
DIMENSION	5"	3/4"	7/16"	2-1/2"	1-3/8"	0.200"	0.400"	2.325"	1.925"	0.188"	0.062"

Superior
Aluminum Products, Inc.