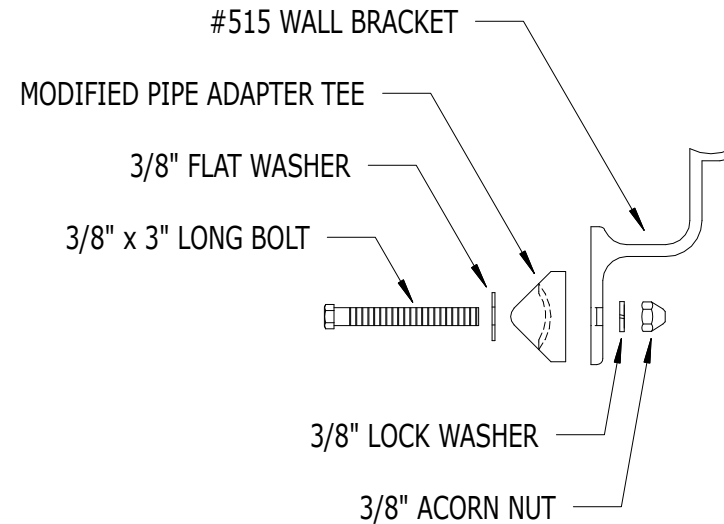
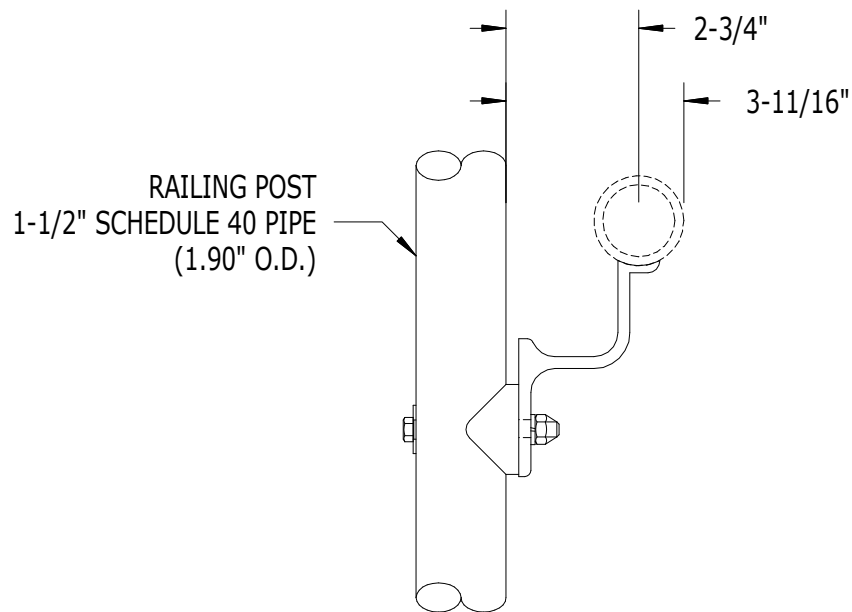


SCALE: 1/4



**#542 - SERIES 500 WALL BRACKET WITH
MODIFIED PIPE ADAPTER TEE AND HARDWARE**

