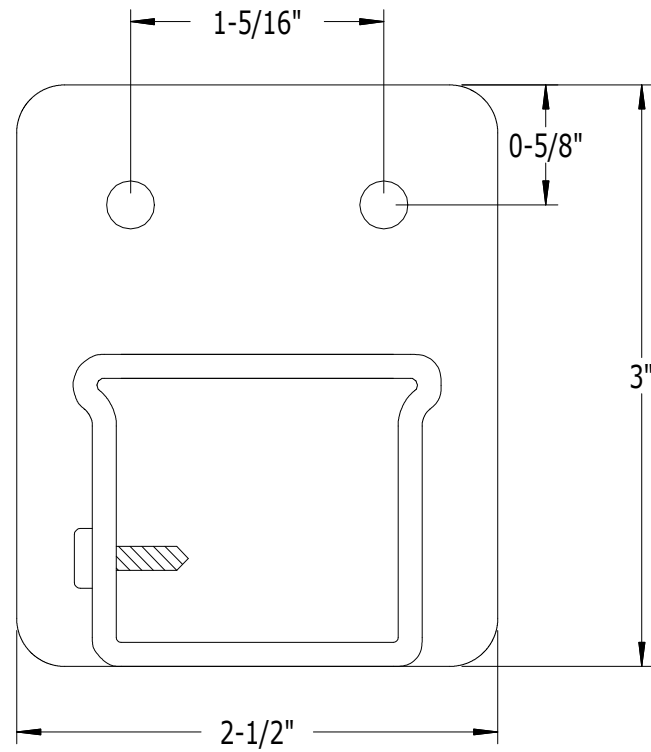
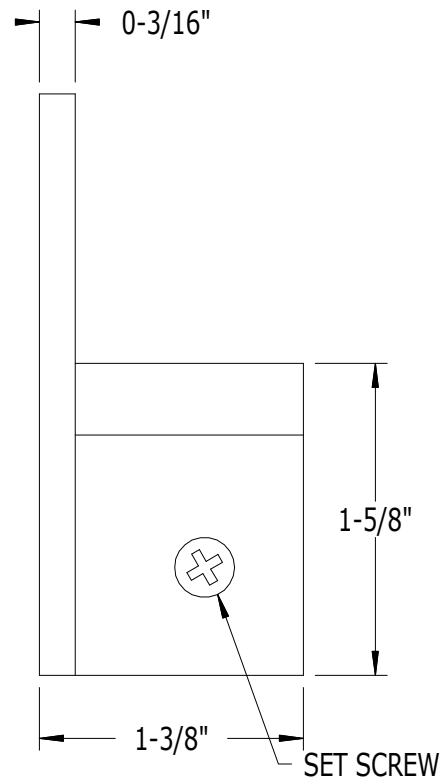



SCALE: 1/1



SET SCREW NOTE

AFTER RAILS ARE IN PLACE DRILL 1/8" HOLE THROUGH BRACKET AND RAIL THEN INSERT #310 SCREW (#8 x 1/2" PANHEAD).

| PART NO. | DESCRIPTION |  Aluminum Products, Inc. | |
|----------|--|--|--|
| 9047B | ADJUSTABLE END BRACKET FOR #9003 BOTTOM RAIL | | |