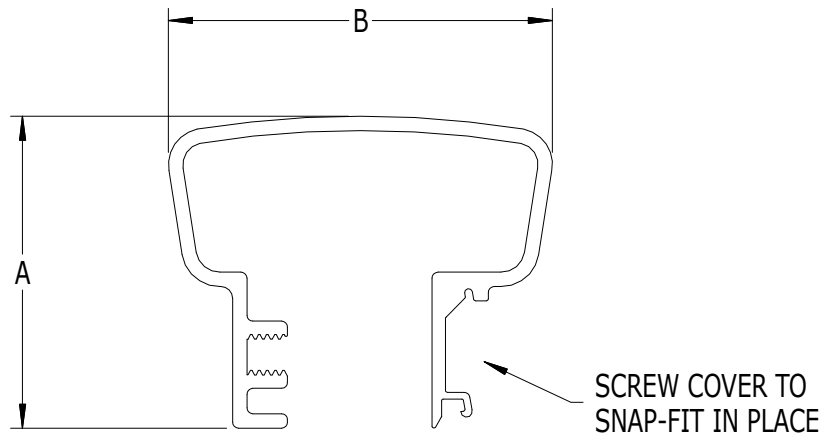
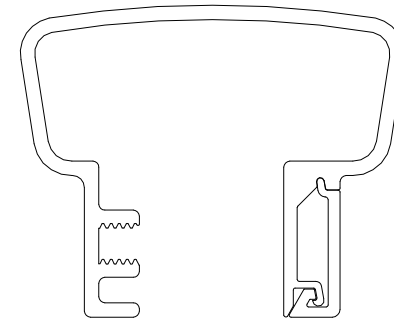


SCALE: 1/1



#905 TOP RAIL



#905 TOP RAIL WITH  
#907 SCREW COVER

**#905 - 2" WIDE x 1-5/8" HIGH TOP RAIL WITH SCREW COVER**

LABEL	A	B
DIMENSION	1-5/8"	2"

**SUPERIOR**  
Aluminum Products, Inc.