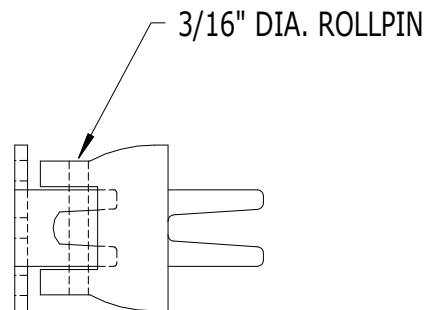
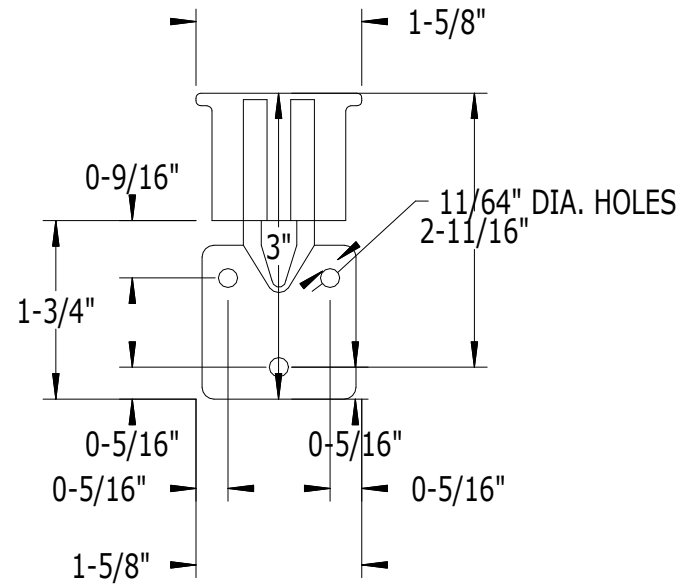
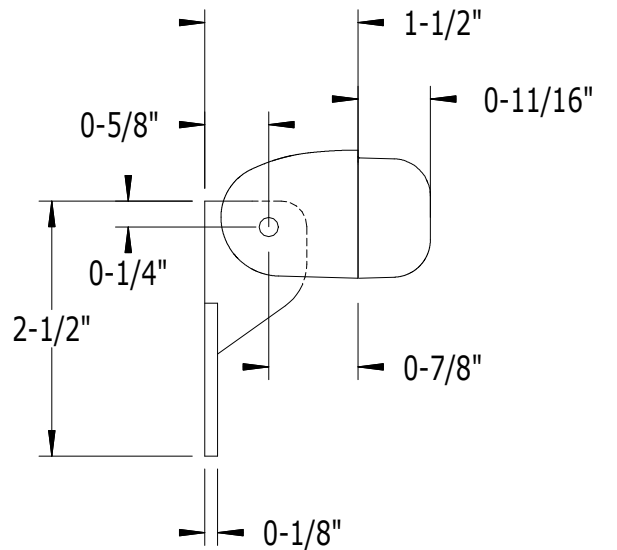


SCALE: 1/1



PART NO.

DESCRIPTION

9056

VERTICAL SWIVEL BRACKET
FOR #9003 BOTTOM RAIL



Aluminum
Products, Inc.