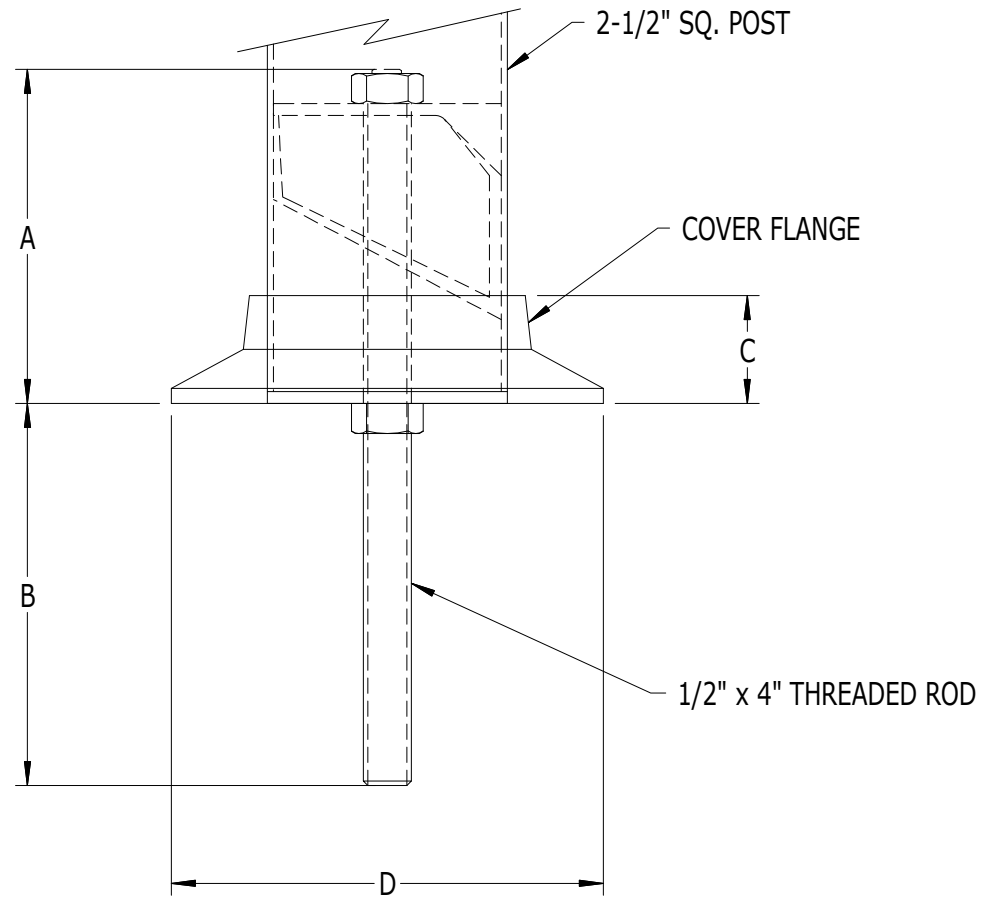


SCALE: 1/2



## **#916 - WEDGE BASE W/ STUD FOR 2-1/2" SQ. POST**

| LABEL     | A      | B  | C      | D      |
|-----------|--------|----|--------|--------|
| DIMENSION | 3-1/2" | 4" | 1-1/8" | 4-1/2" |

**SUPERIOR**  
Aluminum Products, Inc.