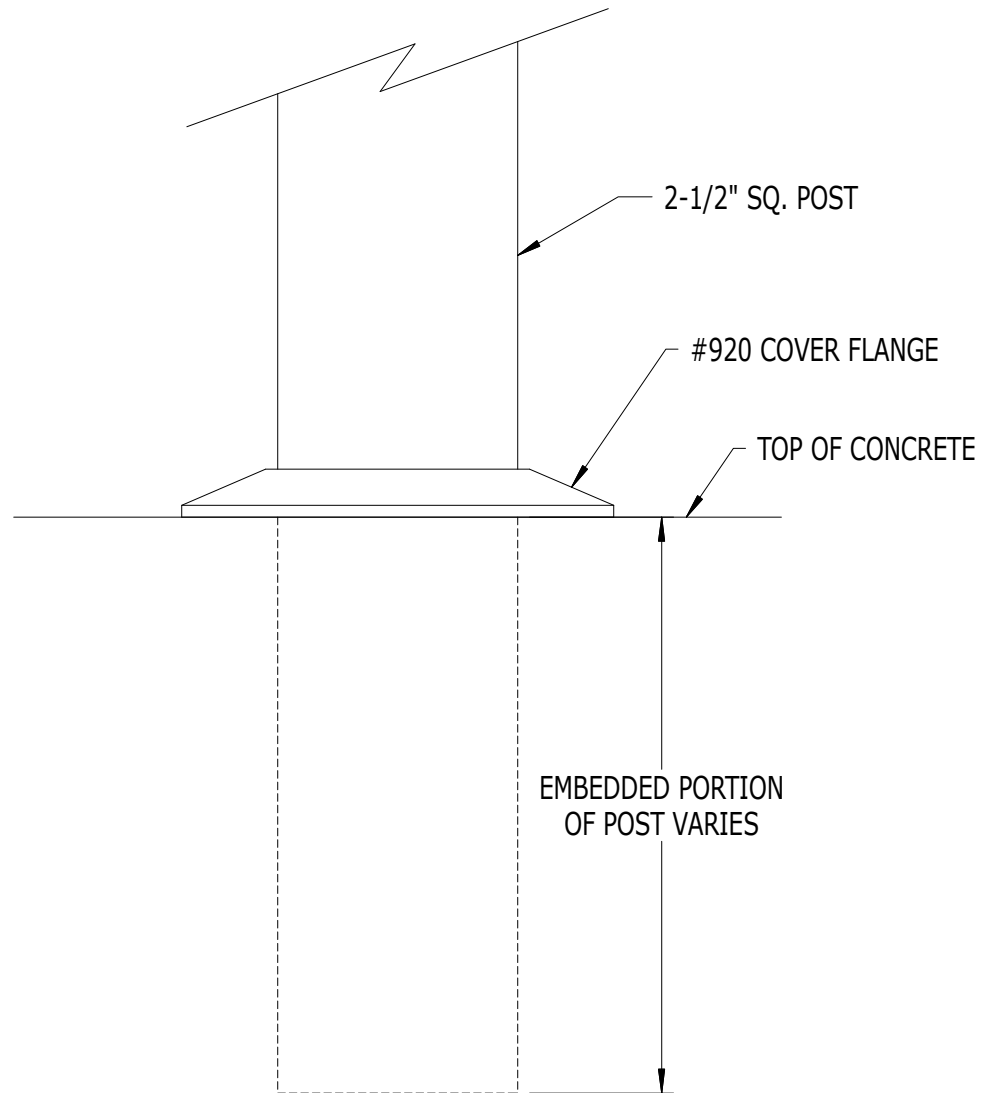
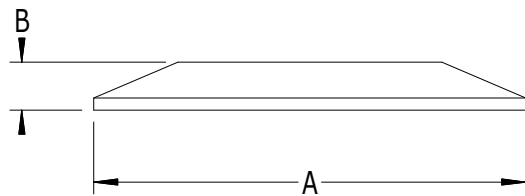
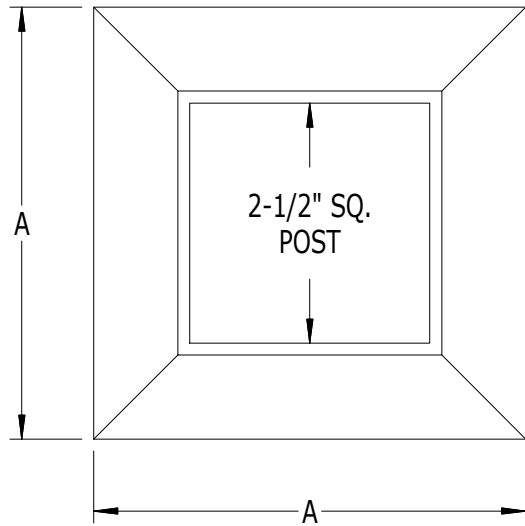


SCALE: 1/2



## **#920 - COVER FLANGE FOR 2-1/2" SQ. POST**

| LABEL     | A      | B    |
|-----------|--------|------|
| DIMENSION | 4-1/2" | 1/2" |

**SUPERIOR**  
Aluminum Products, Inc.