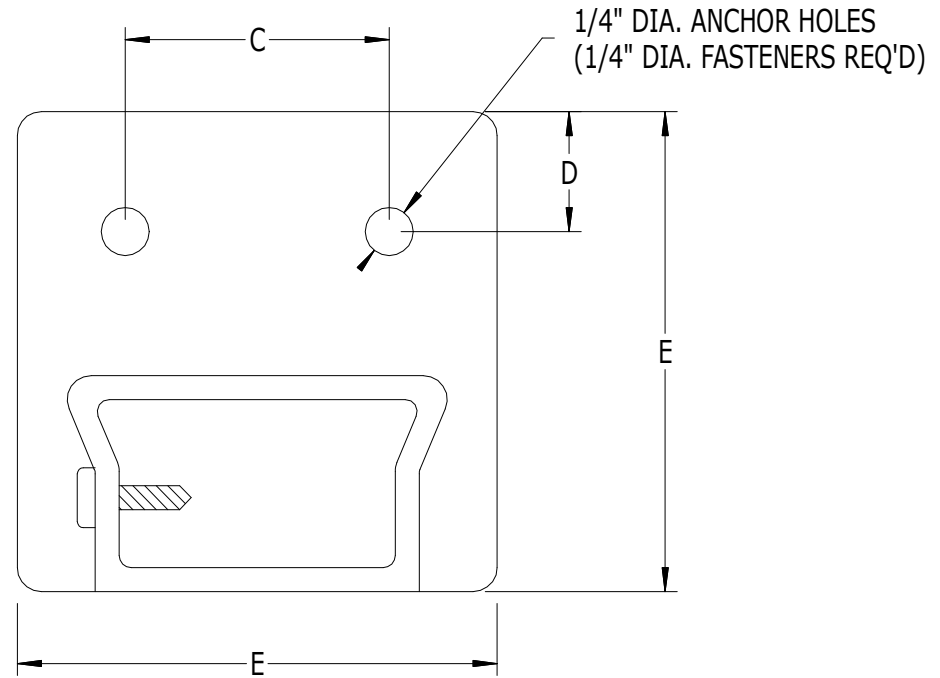
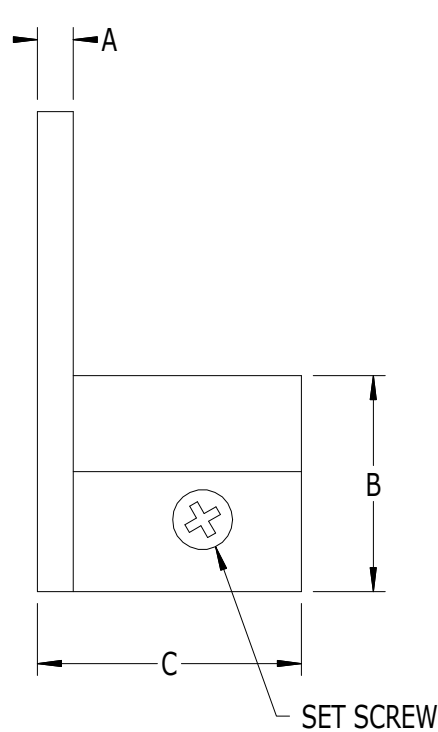


SCALE: 1/1



**SET SCREW NOTE**

AFTER RAILS ARE IN PLACE DRILL 1/8" HOLE THROUGH BRACKET AND RAIL THEN INSERT #310 SCREW (#8 x 1/2" PANHEAD).

**#947B - ADJUSTABLE END BRACKET FOR #903 BOTTOM RAIL**

LABEL	A	B	C	D	E
DIMENSION	3/16"	1-1/8"	1-3/8"	5/8"	2-1/2"

