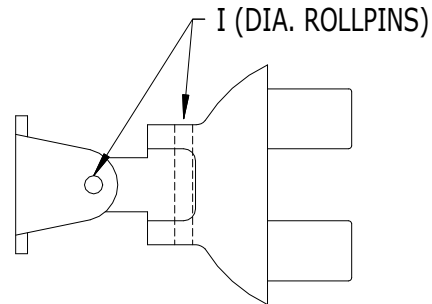
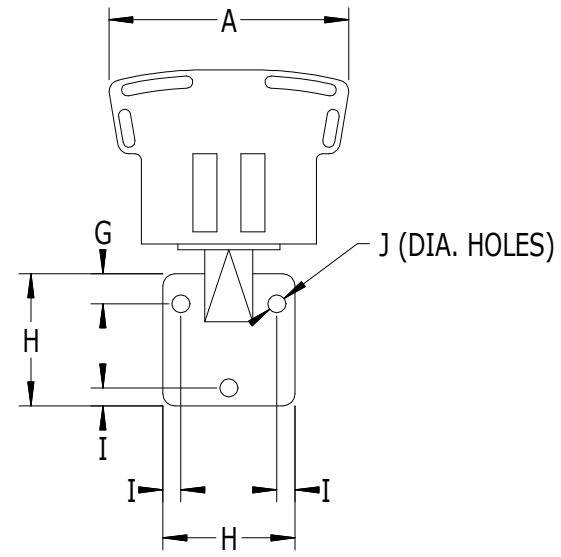
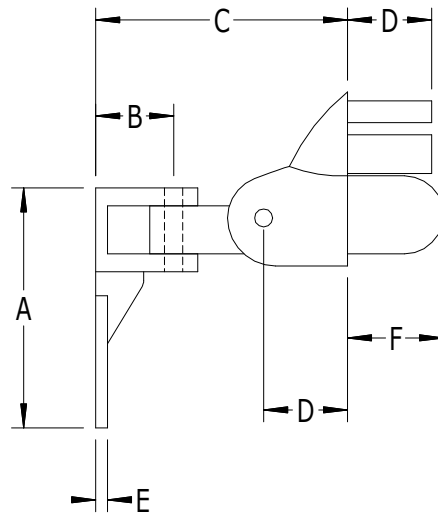


SCALE: 1/2



## #953T - 2-WAY SWIVEL BRACKET FOR #901 TOP RAIL

LABEL	A	B	C	D	E	F	G	H	I	J
DIMENSION	2-1/2"	13/16"	2-5/8"	7/8"	1/8"	1"	5/16"	1-3/8"	3/16"	11/64"

