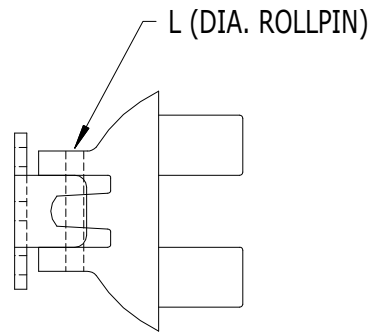
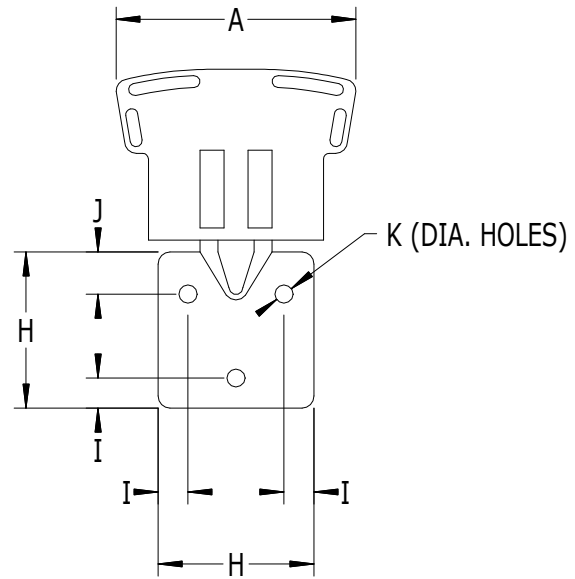
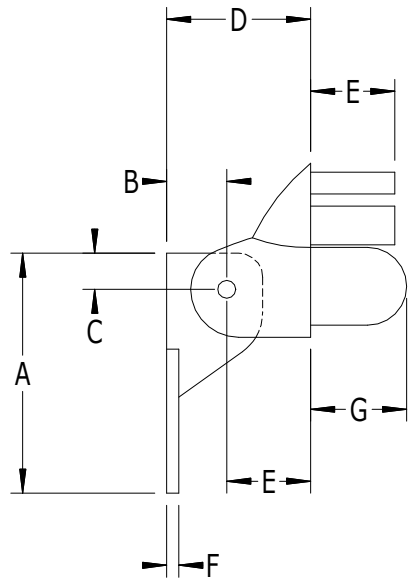


SCALE: 1/2



#955 - VERTICAL SWIVEL BRACKET FOR #901 TOP RAIL

LABEL	A	B	C	D	E	F	G	H	I	J	K	L
DIMENSION	2-1/2"	5/8"	3/8"	1-1/2"	7/8"	1/8"	1"	1-5/8"	5/16"	7/16"	11/64"	3/16"

SUPERIOR
Aluminum Products, Inc.