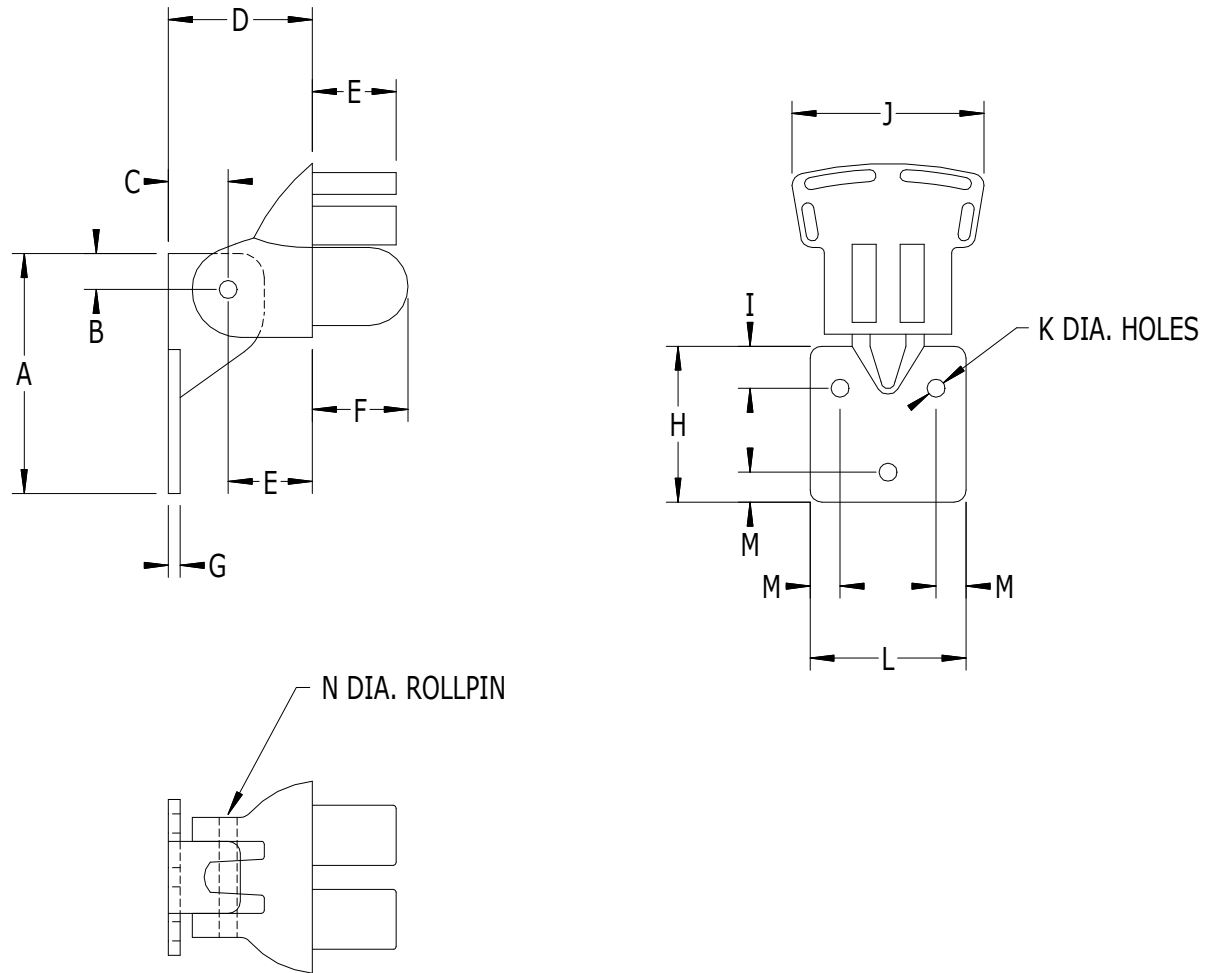


SCALE: 1/2



## **#959 - VERTICAL SWIVEL BRACKET FOR #905 TOP RAIL**

LABEL	A	B	C	D	E	F	G	H	I	J	K	L	M	N
DIMENSION	2-1/2"	3/8"	5/8"	1-1/2"	7/8"	1"	1/8"	1-5/8"	7/16"	2"	11/64"	1-5/8"	5/16"	3/16"

