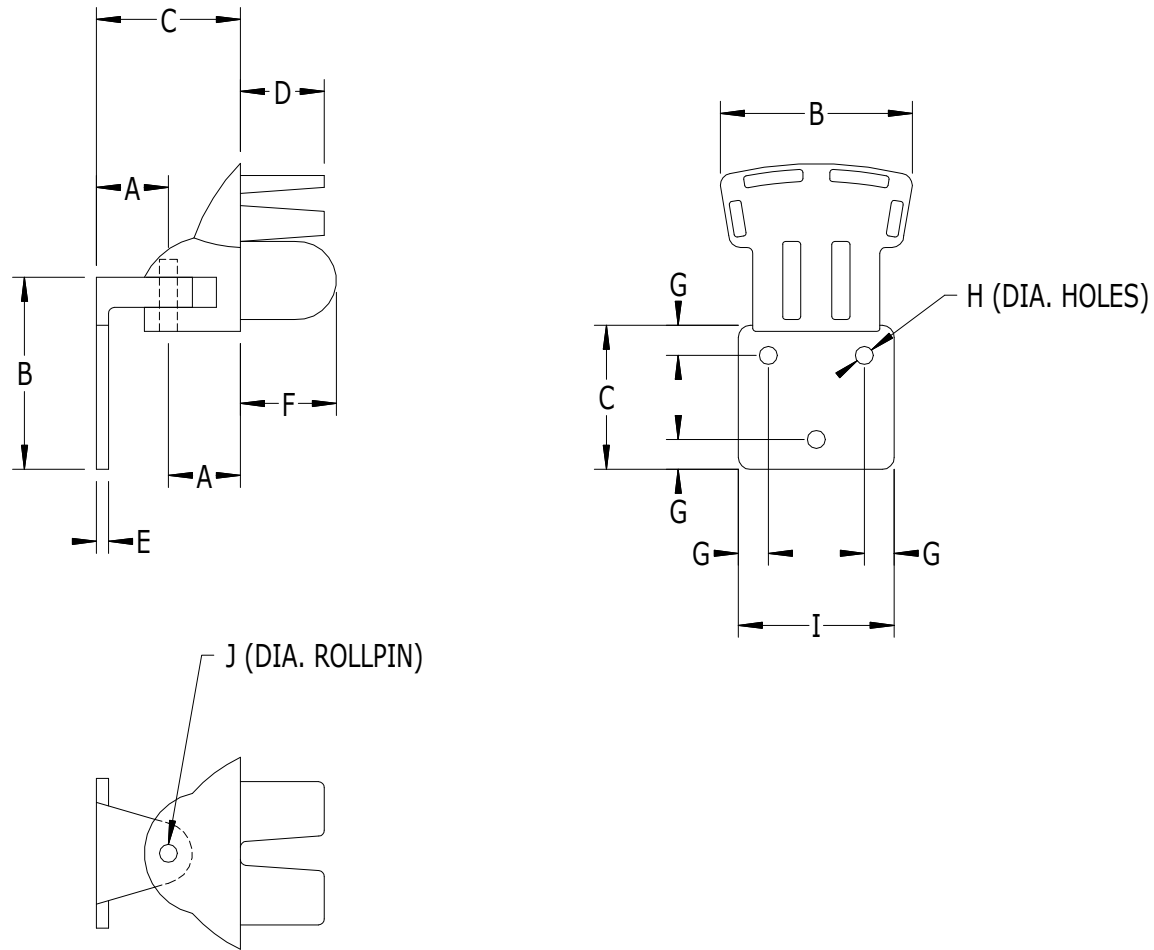


SCALE: 1/2



#969T - HORIZONTAL SWIVEL BRACKET FOR #905 TOP RAIL

LABEL	A	B	C	D	E	F	G	H	I	J
DIMENSION	3/4"	2"	1-1/2"	7/8"	1/8"	1"	5/16"	11/64"	1-5/8"	3/16"

SUPERIOR
Aluminum Products, Inc.