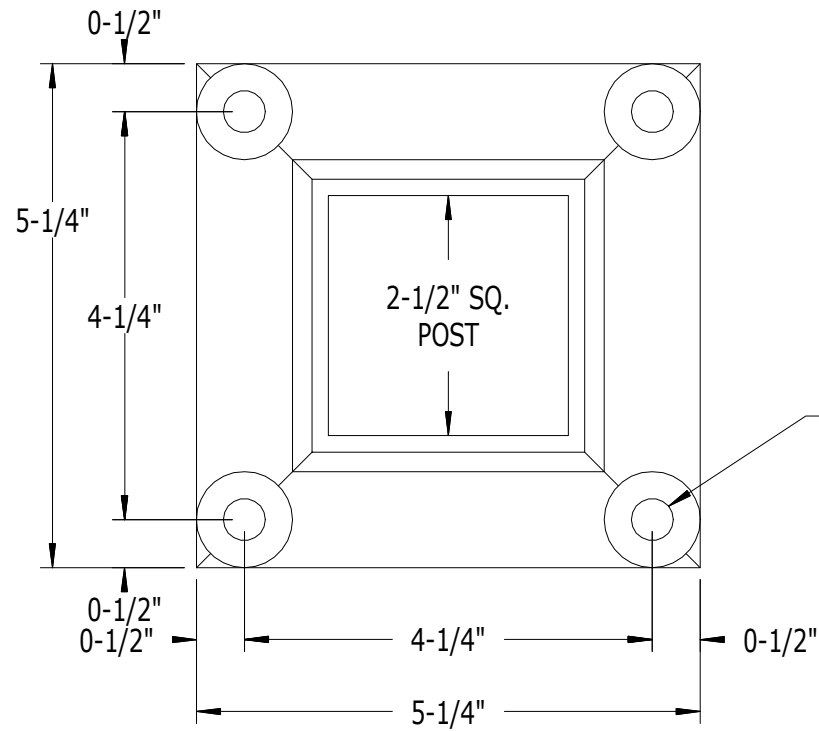
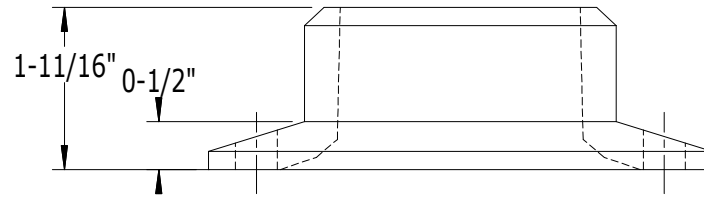


SCALE: 1/2



SPOT FACED FOR VERTICAL  
7/16" DIA. HOLES  
FOR 3/8" DIA. ANCHORS



2-1/2" SQ. POST FITTED WITH  
2.3" SQ. x 1/4" WALL x 3-5/8" LONG  
6063-T6 REINFORCEMENT BAR

**BASES ARE WELDED  
ONTO POSTS**

PART NO.	DESCRIPTION
973ES	4-HOLE EXTRA SHORT HEAVY DUTY WELDED BASE FOR 2-1/2" SQ. POST



**Aluminum  
Products, Inc.**