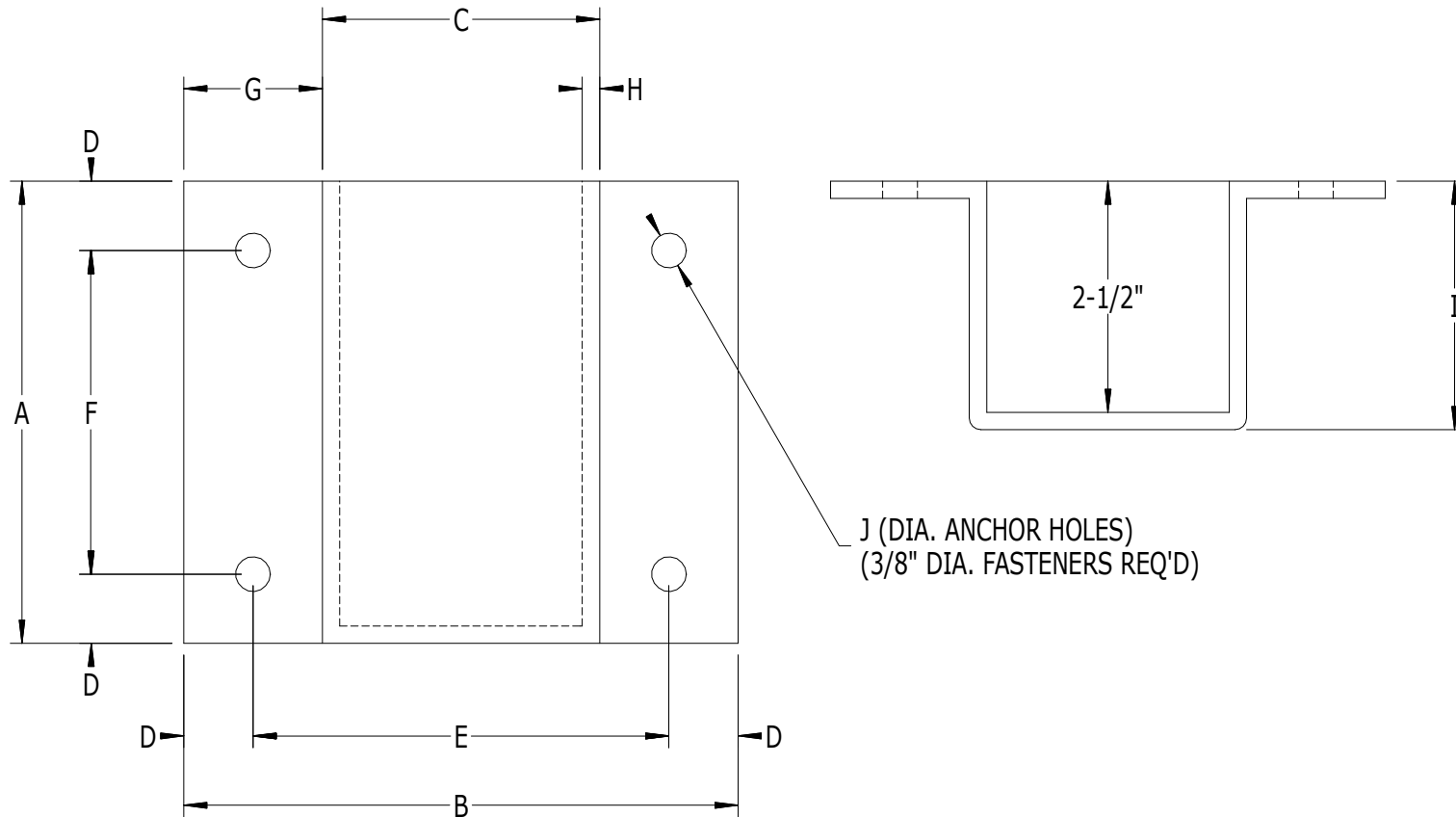


SCALE: 1/2



#975 - SIDE MOUNT BASE FOR 2-1/2" SQ. POST

| LABEL | A | B | C | D | E | F | G | H | I | J |
|-----------|----|----|----|------|--------|--------|--------|-------|----------|--------|
| DIMENSION | 5" | 6" | 3" | 3/4" | 4-1/2" | 3-1/2" | 1-1/2" | 3/16" | 2-11/16" | 13/32" |

Superior
Aluminum Products, Inc.