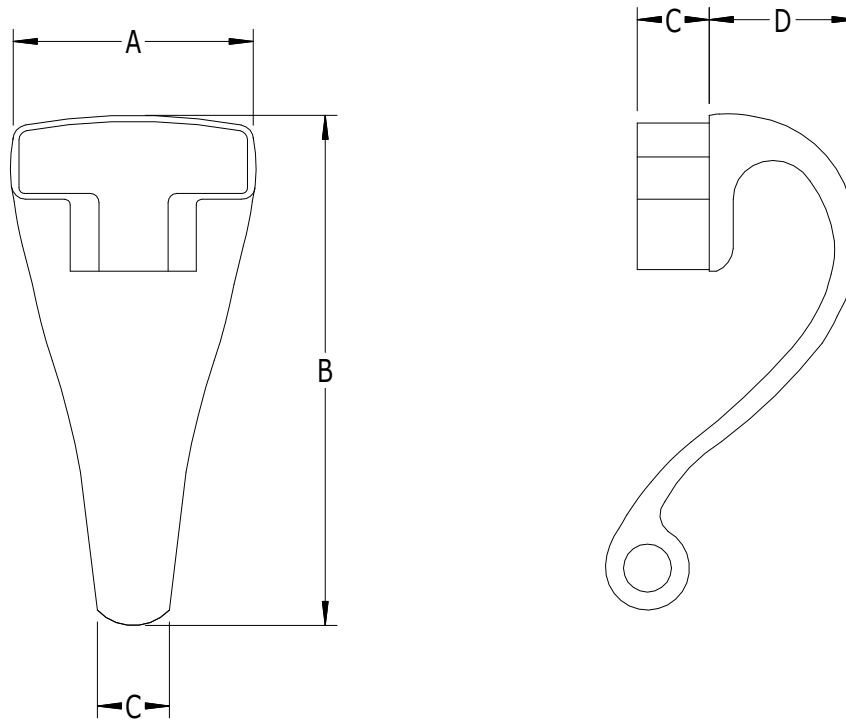


SCALE: 1/2



#983 - LAMBS TOUNGE FOR #901 TOP RAIL

| LABEL | A | B | C | D |
|-----------|--------|--------|--------|--------|
| DIMENSION | 2-1/2" | 5-1/4" | 0-3/4" | 1-1/2" |

Superior
Aluminum Products, Inc.