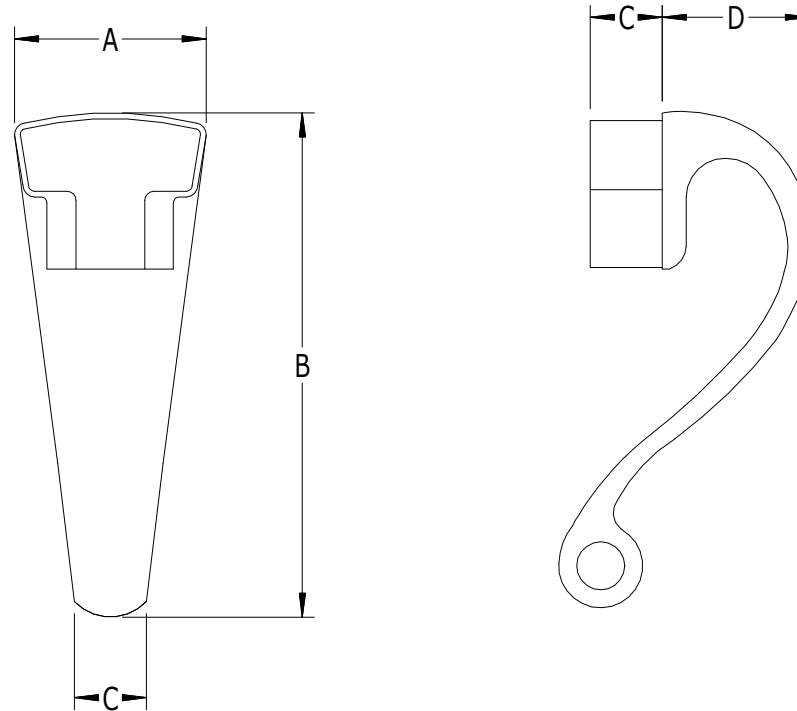


SCALE: 1/2



#986 - LAMBS TONGUE FOR #905 TOP RAIL

LABEL	A	B	C	D
DIMENSION	2"	5-1/4"	3/4"	1-1/2"

SUPERIOR
Aluminum Products, Inc.